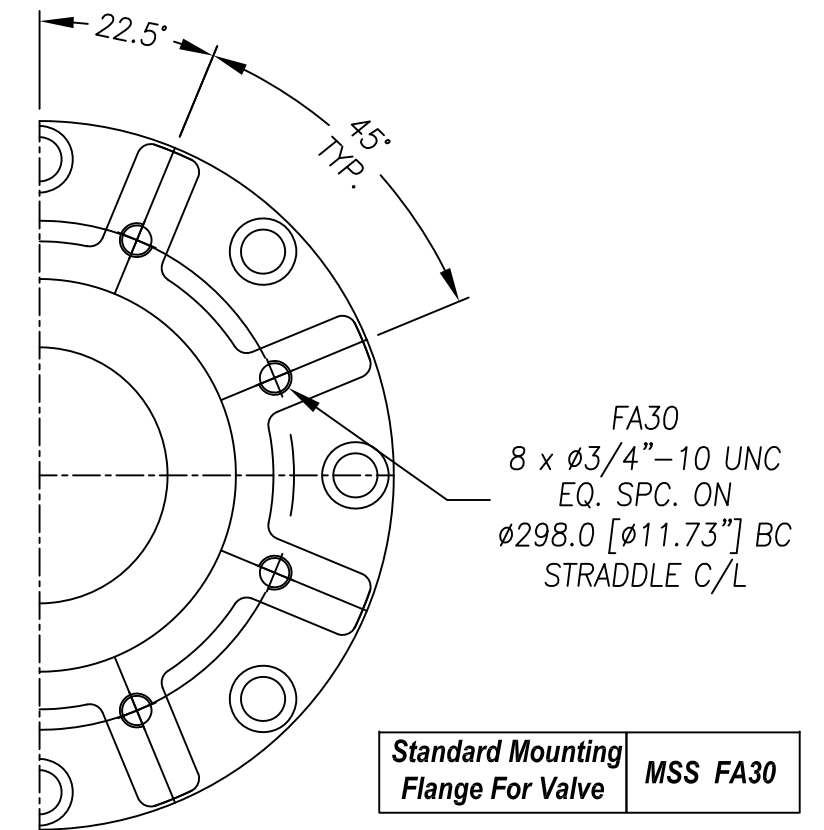
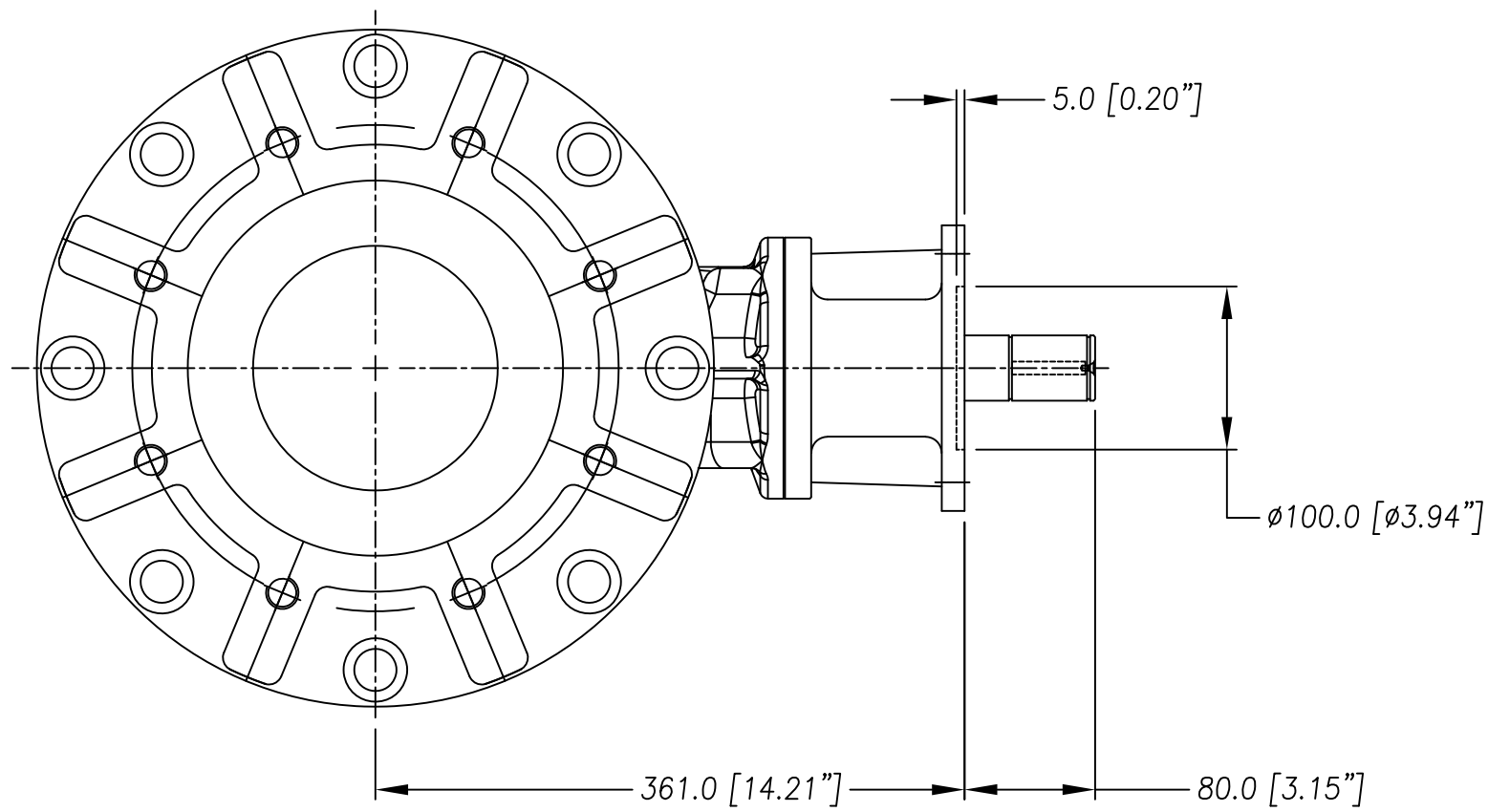
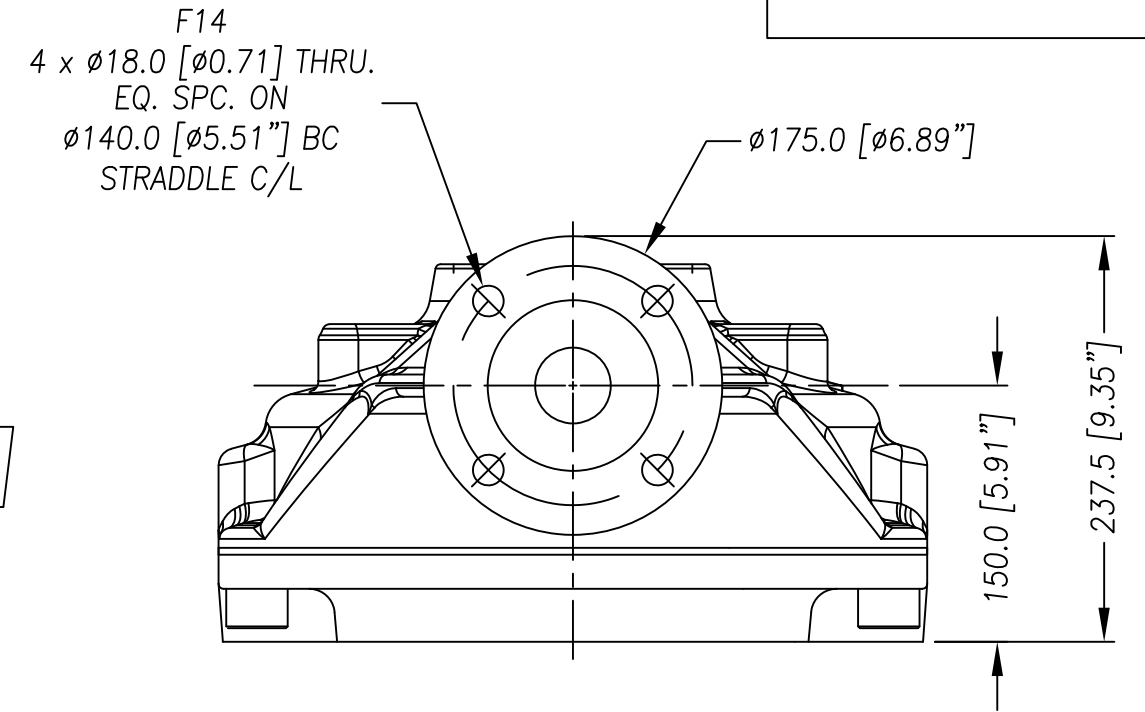
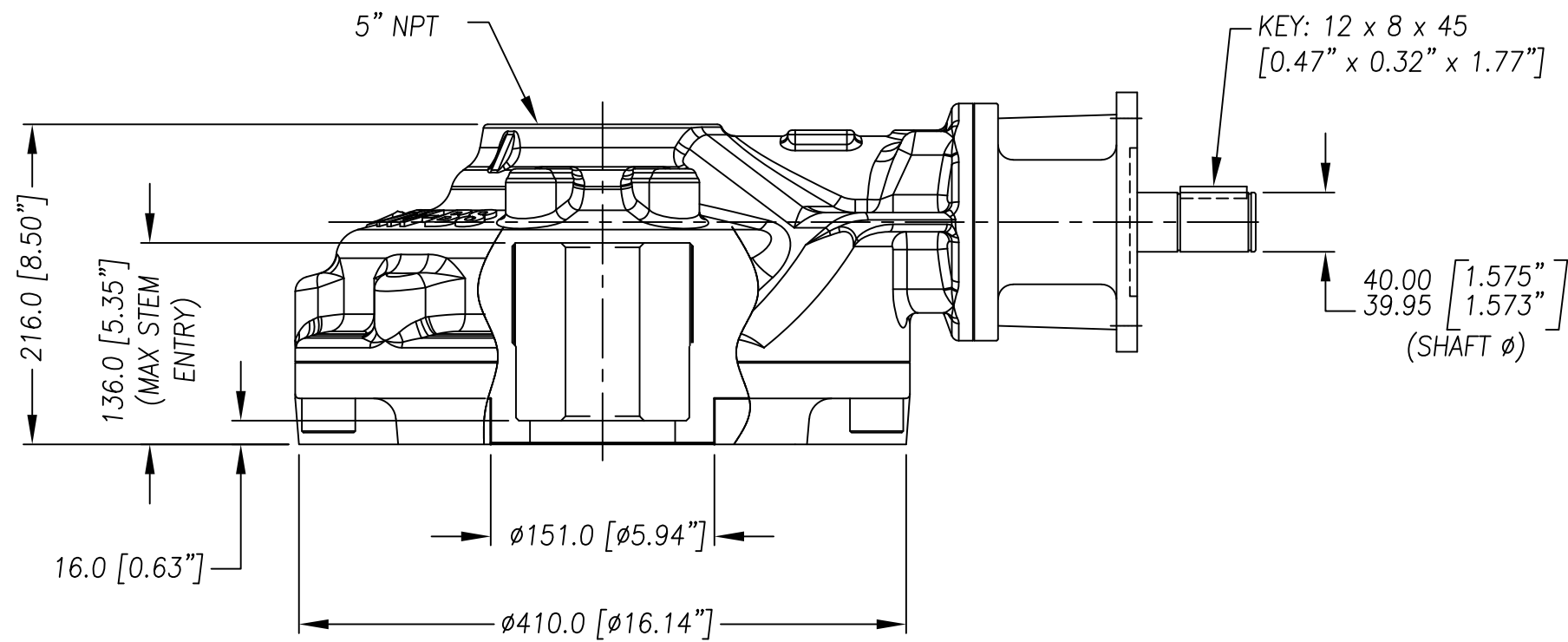


DIAMOND GEAR

49BG6



UNITS: MM [Inches]

MAX. OUTPUT TORQUE		MAX. INPUT TORQUE		RATIO	MECHANICAL ADVANTAGE	THRUST [LB]	WEIGHT [LB]	MAX ROUND BORE [IN.]	STANDARD MOUNTING STRADDLE C/L
[FT.LB]	[IN.LB]	[FT.LB]	[IN.LB]						
4,107	49,284	761	9,127	5.4	6.0:1	90,325	260	$\phi 3-3/8$ " KEY: 7/8" X 5/8"	FA30

REV.0

C921263A

10/28/19



DIAMOND GEAR
HOUSTON, TEXAS, USA
PHONE: 713-590-0270

