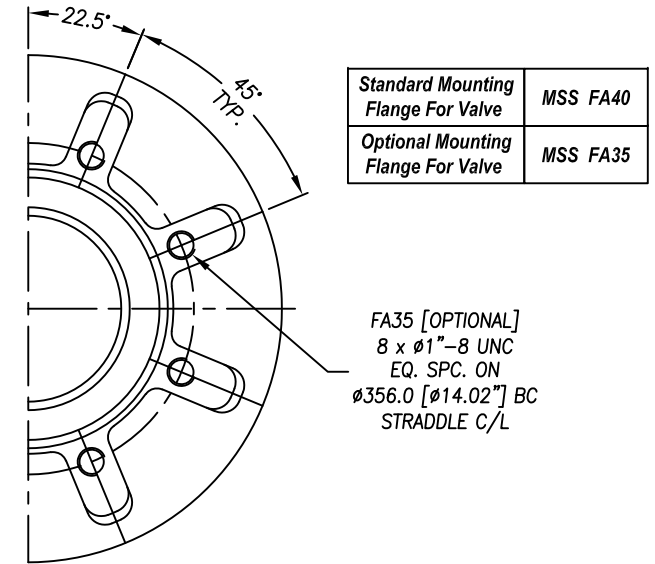
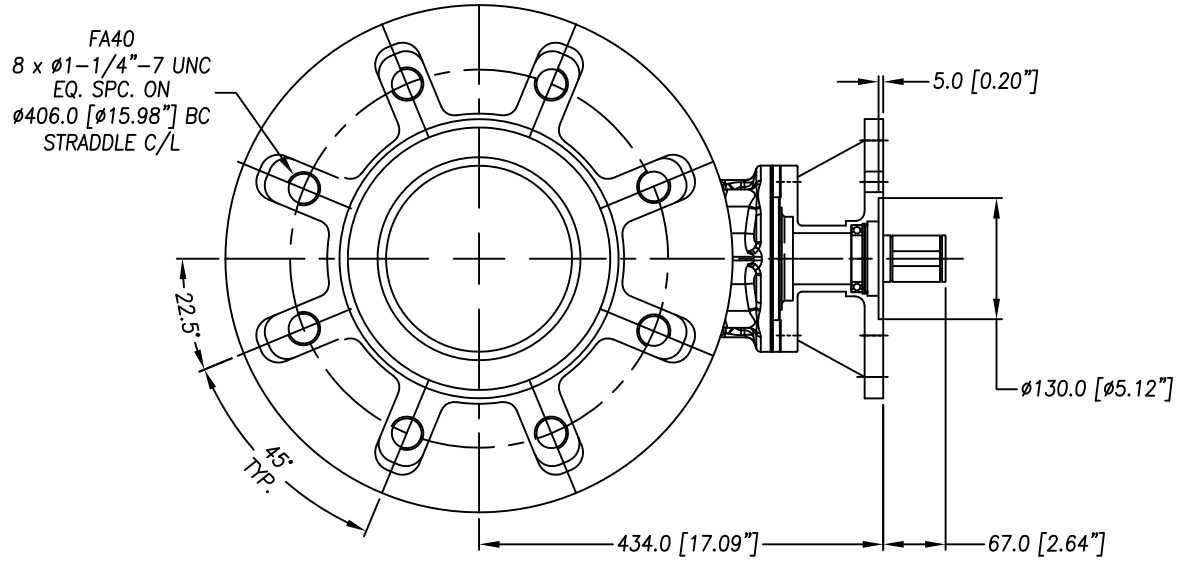
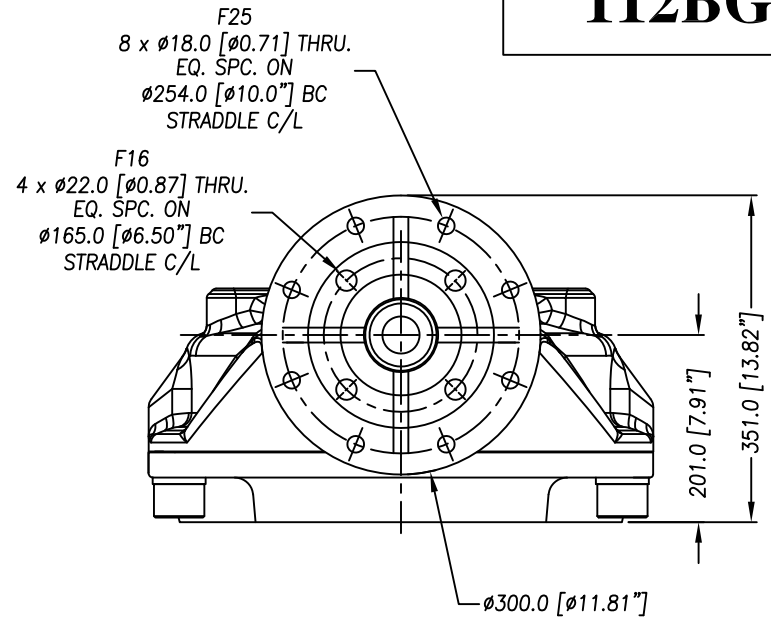
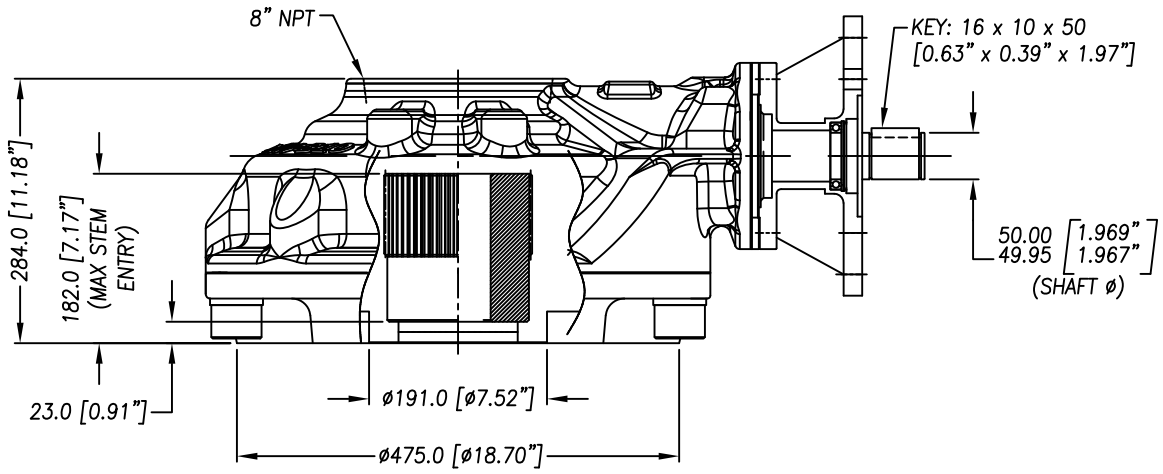


DIAMOND GEAR

112BG7



Standard Mounting Flange For Valve	MSS FA40
Optional Mounting Flange For Valve	MSS FA35

UNITS: MM [Inches]

MAX. OUTPUT TORQUE		MAX. INPUT TORQUE		RATIO	MECHANICAL ADVANTAGE	THRUST [LB]	WEIGHT [LB]	MAX ROUND BORE [IN.]	MOUNTING STRADDLE C/L
[FT.LB]	[IN.LB]	[FT.LB]	[IN.LB]						
9,332	111,984	1,481	17,775	7:1	6.3	248,944	529	ϕ 4" KEY: 1" X 3/4"	FA40 [Standard] FA35 [Optional]

REV.B

C921267A 9/22/20



DIAMOND GEAR
HOUSTON, TEXAS, USA
PHONE: 713-590-0270

