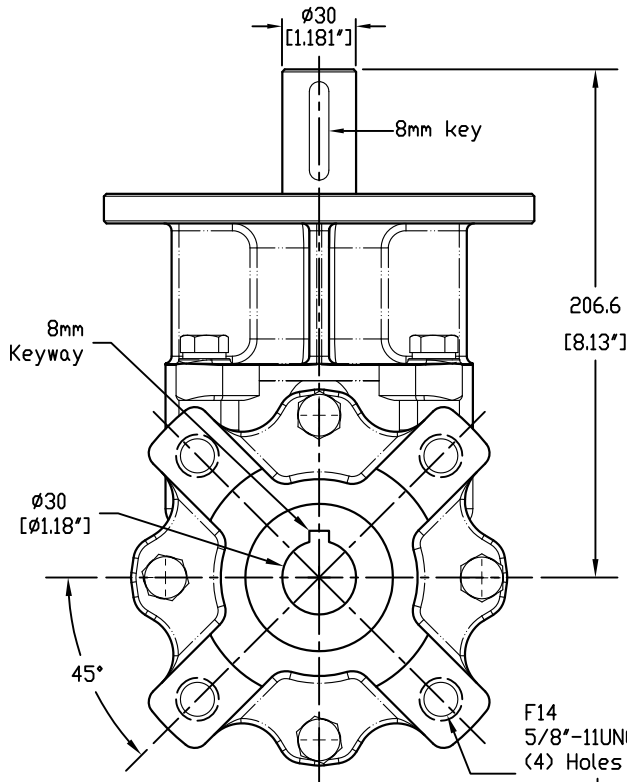
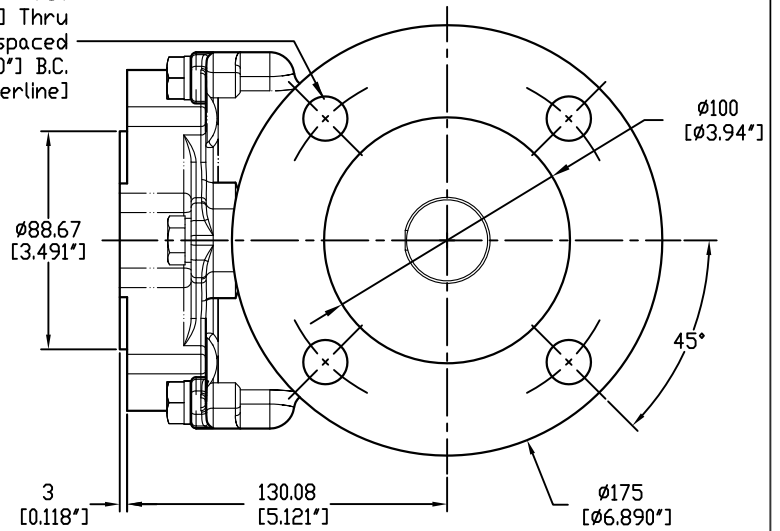
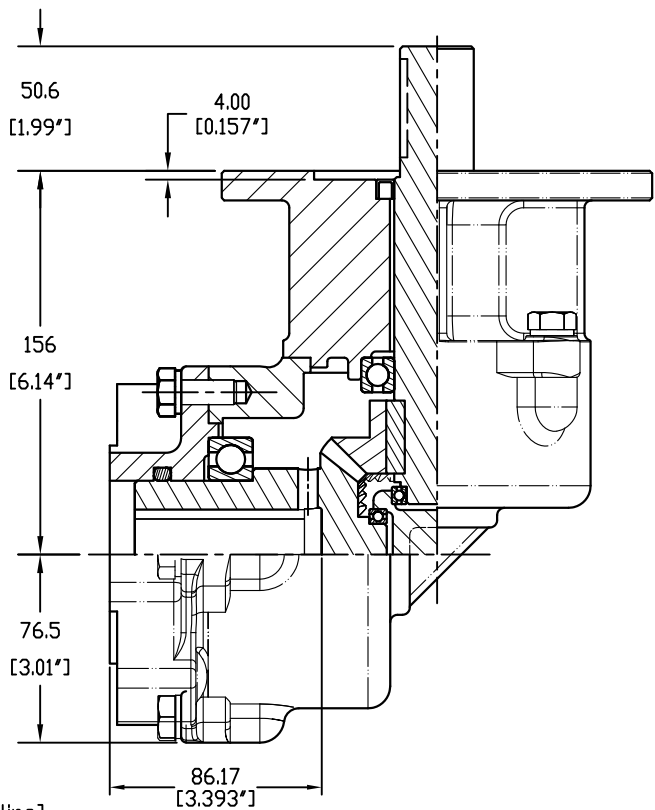


F14  
 Ø18.00 [Ø0.71"] Thru  
 (4) Places Equally spaced  
 on Ø140 [5.510"] B.C.  
 [Straddle Centerline]



F14  
 5/8"-11UNC-2B  
 (4) Holes Equally  
 spaced on Ø140  
 [5.510"] B.C.  
 [Straddle Centerline]



MAX. OUTPUT TORQUE [IN./LBS.]	RATIO	WEIGHT [LBS.]	MECHANICAL ADVANTAGE	INPUT PATTERN [IN.]	OUTPUT PATTERN [IN.]
2400	1 : 1	49	0.9	F14	F14

UNITS: MM [INCHES]



**DIAMOND GEAR CO. LTD.**  
 HOUSTON, TEXAS, USA  
 PHONE: 713-590-0270, FAX: 713-590-0278



C200045A

Rev. 0

06/20/11