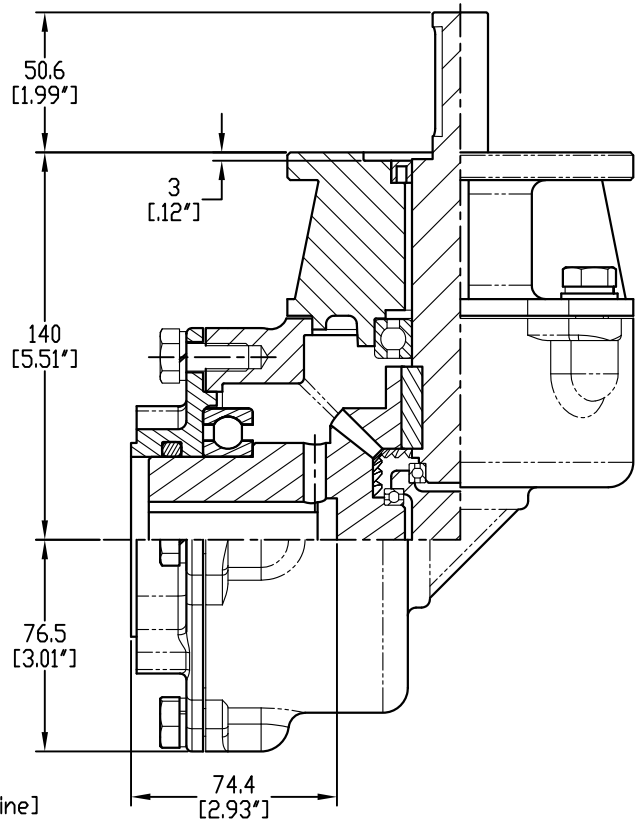
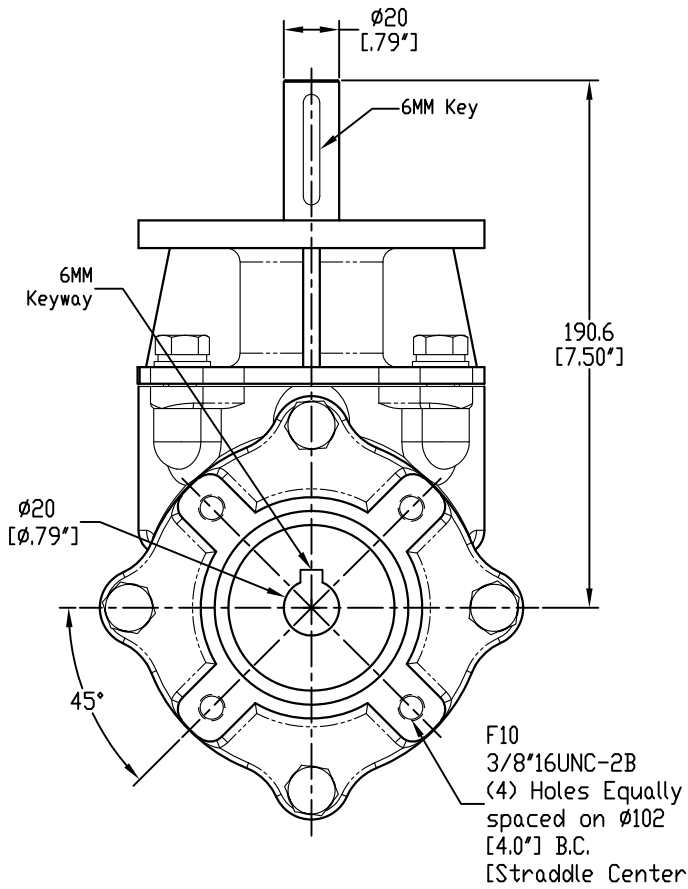
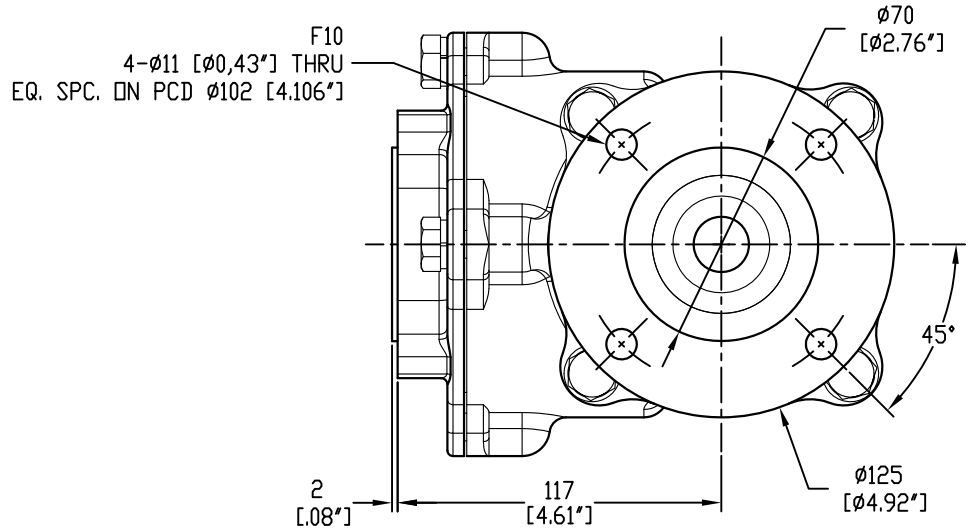
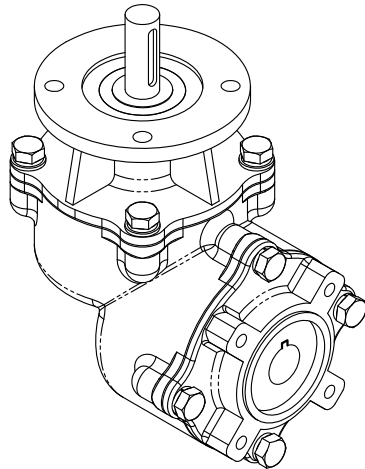


# DIAMOND GEAR CO., LTD.

# MB-10



MAX. OUTPUT TORQUE [IN./LBS.]	RATIO	WEIGHT [LBS.]	MECHANICAL ADVANTAGE	INPUT PATTERN [IN]	OUTPUT PATTERN [IN.]
2400	1 : 1	25	0.9	F10	F10

UNITS: MM (INCHES)



**DIAMOND GEAR CO. LTD.**  
 HOUSTON, TEXAS, USA  
 PHONE: 713-590-0270, FAX: 713-590-0278



C200046A

REV.A

07/15/11