

DIAMOND GEAR CO.,LTD.

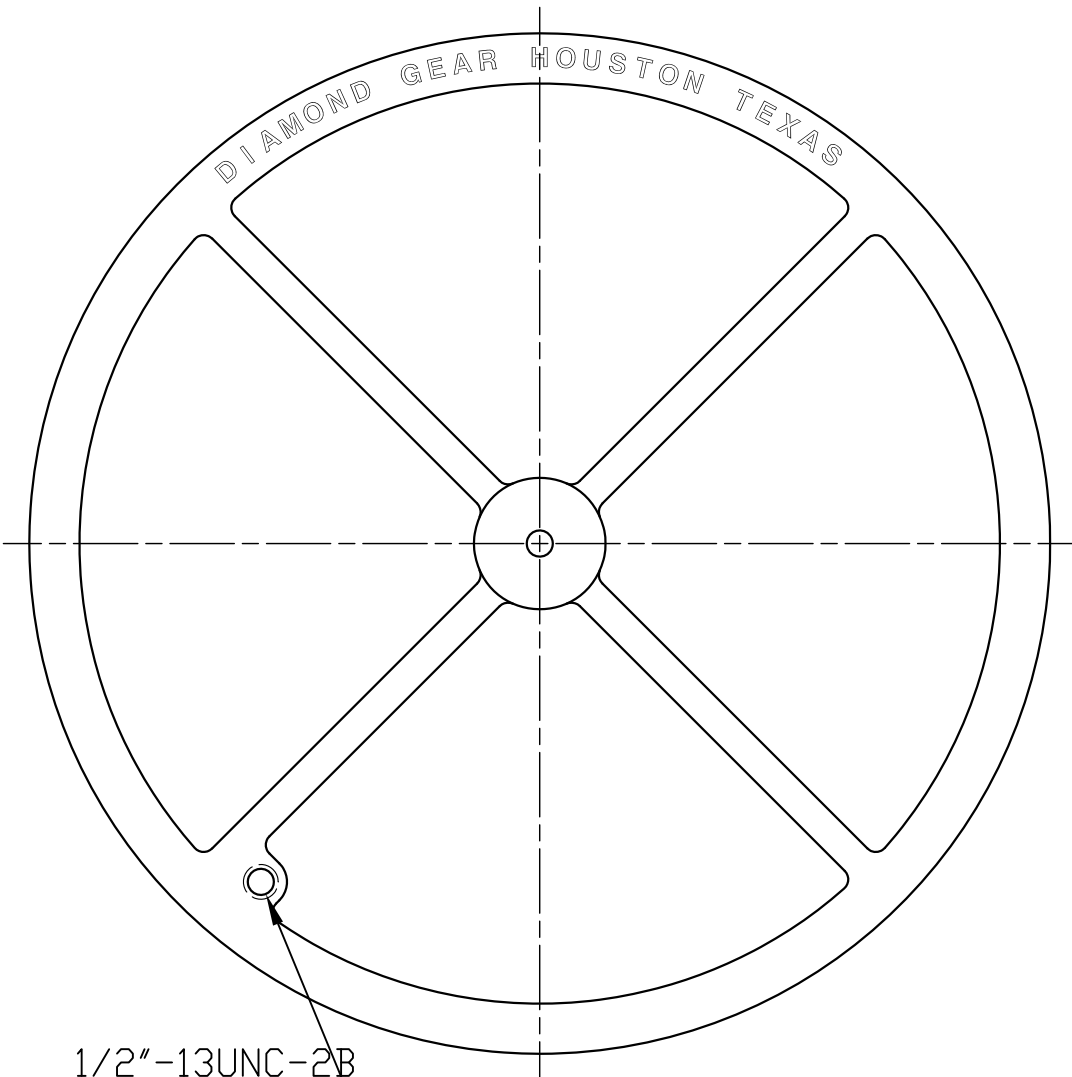
HANDWHEEL

PART NUMBER DESCRIPTION

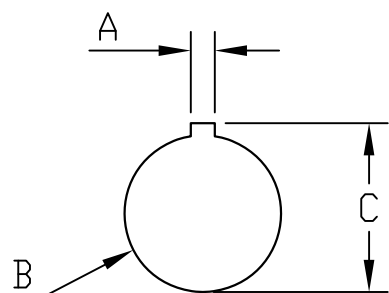
0300009B##-###

SHAFT BORE

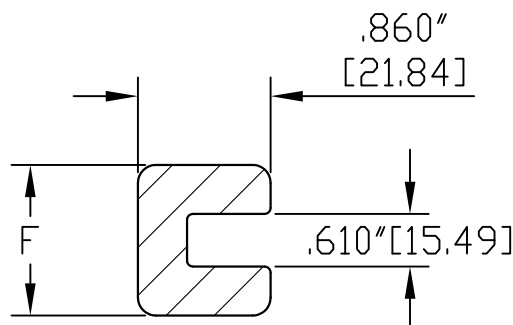
HANDWHEEL SIZE NUMBER



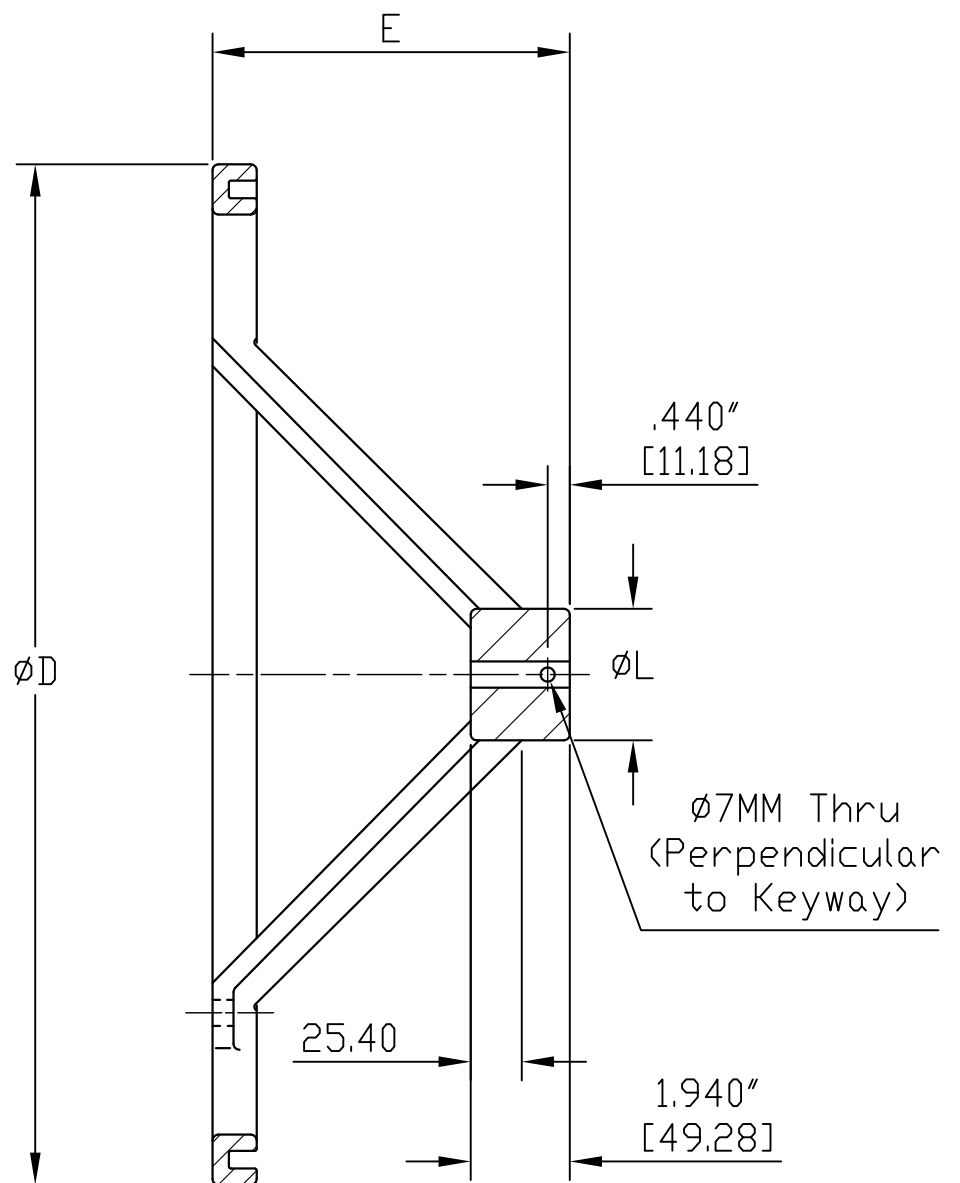
1/2"-13UNC-2B
Thru



SHAFT BORE DETAIL



RIM SECTION



UNITS: INCHES [MM]

FOR SQUARE KEY ONLY

-XX	A +.005 -.000	ϕB +.010 -.000	C +.005 -.000
01	.125" [3.17]	.500" [12.70]	.560" [14.22]
02	.187" [4.75]	.625" [15.88]	.709" [18.00]
03		.750" [19.05]	.837" [21.26]
04		.812" [20.62]	.900" [22.86]
05	.250" [6.35]	.875" [22.23]	.964" [24.49]
06		1.000" [25.40]	1.114" [28.30]
07		1.125" [28.58]	1.241" [31.52]
08	.236" [6]	1.250" [31.75]	1.367" [34.72]
09		.787" [20]	.906" [23]
10		1.181" [30]	1.310" [33.28]

PART NUMBER	ϕD	ϕL	F	E
0300009B01-XX	18.00" [457.20]	2.340" [59.44]	1.00" [25.40]	6.500" [165.10]
0300009B02-XX	20.00" [508]	2.580" [65.53]	1.130" [28.70]	7.00" [177.80]
0300009B03-XX	24.00" [609.60]			7.500" [190.50]
0300009B04-XX	30.00" [762]		1.250" [31.75]	8.00" [203.20]
0300009B05-XX	36.00" [914.40]		10.00" [254]	
0300009B06-XX	40.00" [101.60]		1.310" [33.27]	11.50" [292.10]
0300009B07-XX	48.00" [121.92]			13.50" [342.90]



DIAMOND GEAR COMPANY
HOUSTON, TEXAS U.S.A.
PHONE: 713-590-0270, FAX: 713-590-0278



C300009A

09/23/09

REV.0