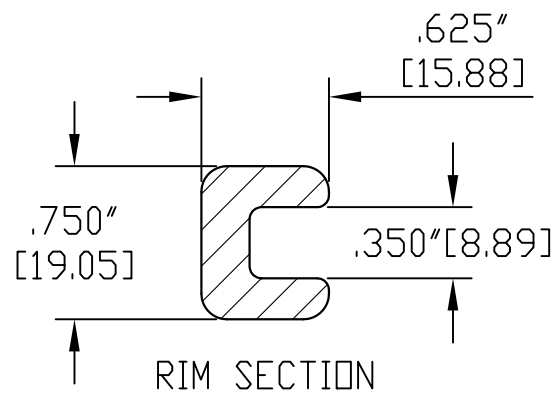
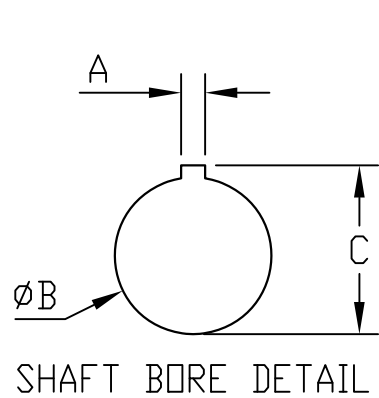
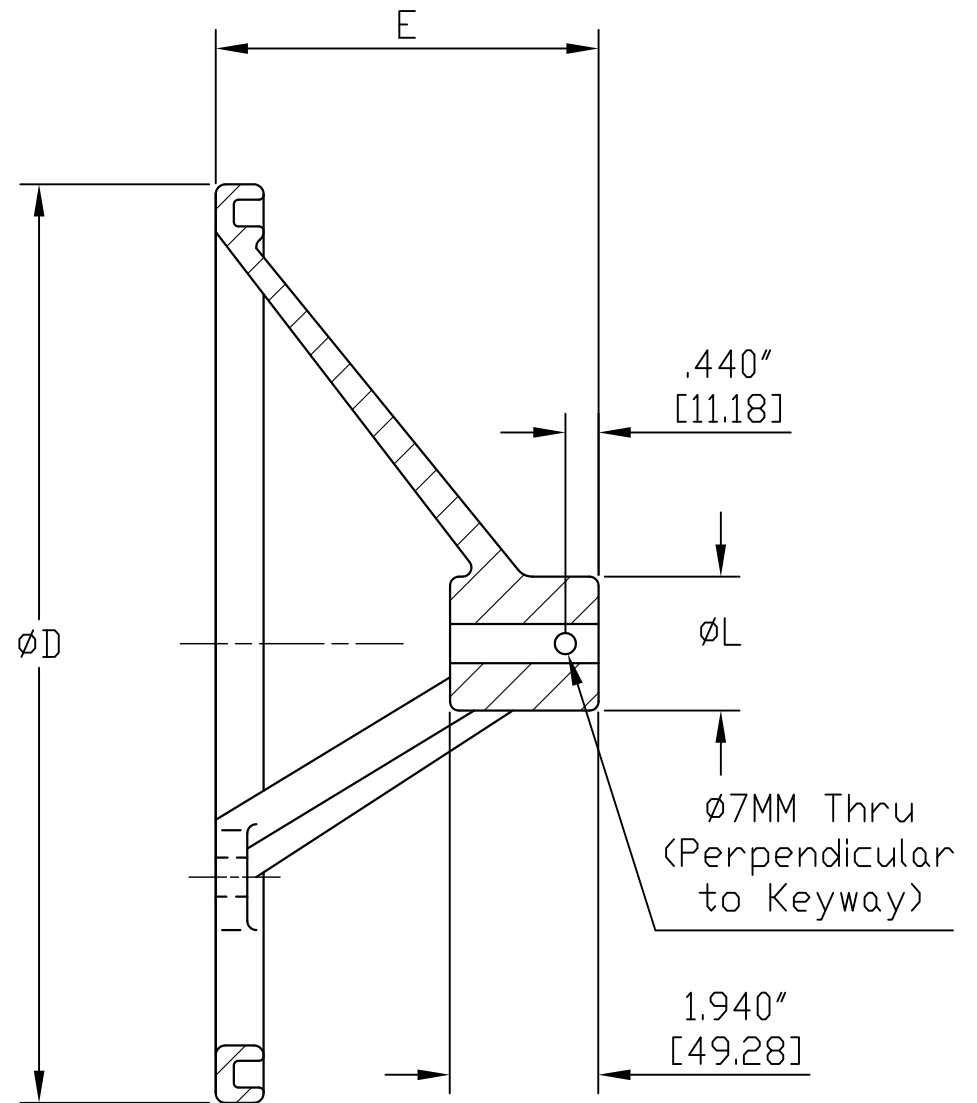
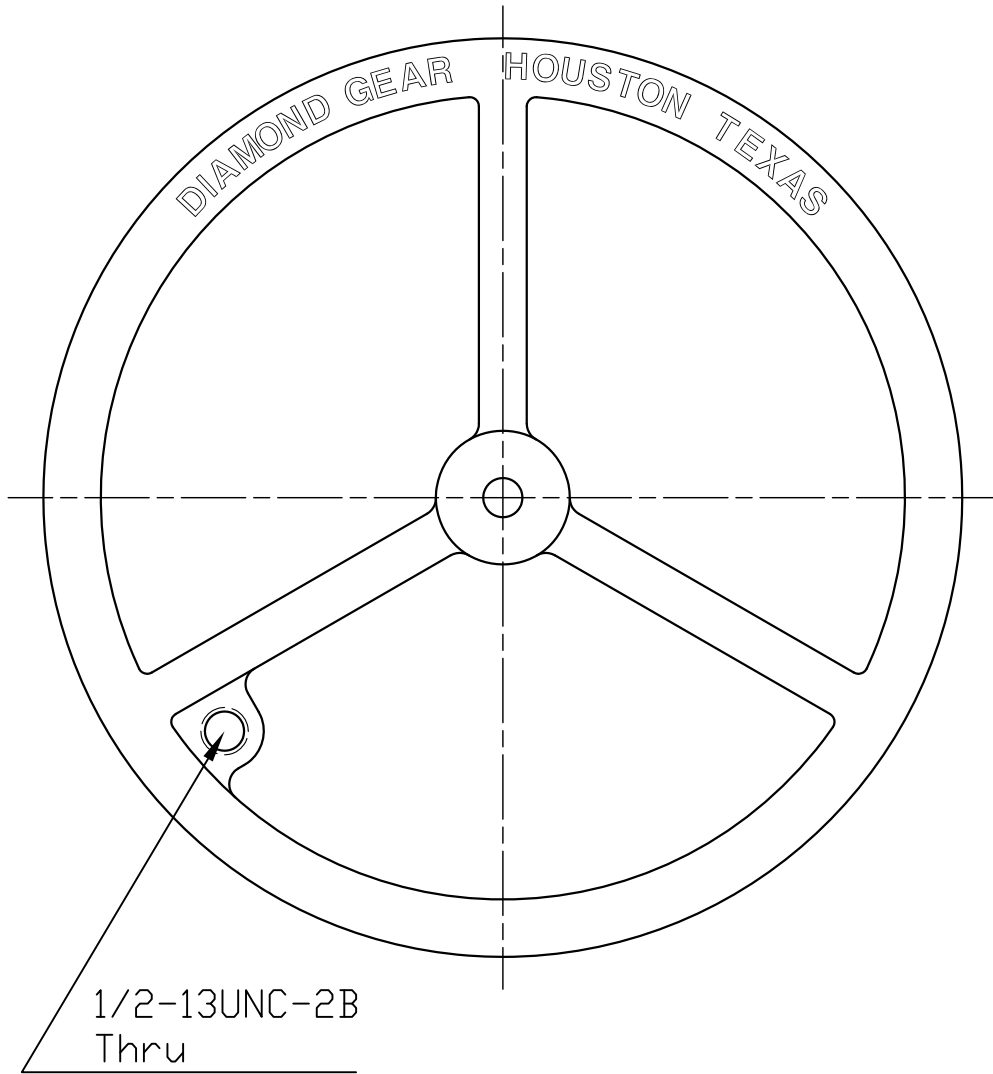


DIAMOND GEAR CO.,LTD.

HANDWHEEL

PART NUMBER DESCRIPTION

0300008B##-###



UNITS: INCHES [MM]

FOR SQUARE KEY ONLY

-XX	A +.005 -.000	ØB +.010 -.000	C +.005 -.000
01	.125" [3.17]	.500" [12.70]	.560" [14.22]
02	.187" [4.75]	.625" [15.88]	.709" [18.00]
03		.750" [19.05]	.837" [21.26]
04		.812" [20.62]	.900" [22.86]
05	.250" [6.35]	.875" [22.23]	.964" [24.49]
06		1.000" [25.40]	1.114" [28.30]
07		1.125" [28.58]	1.241" [31.52]
08	.236" [6]	1.250" [31.75]	1.367" [34.72]
09		.795" [20.13]	.907" [23.04]

PART NUMBER	ØD	ØL	E
0300008B01-XX	6.000" [152.40]	1.750" [44.45]	3.250" [82.55]
0300008B02-XX	8.000" [203.20]		4.000" [101.60]
0300008B03-XX	10.00" [254]		4.500" [114.30]
0300008B04-XX	12.00" [304.80]		5.000" [127]
0300008B05-XX	14.00" [355.60]	2.100" [53.34]	6.00" [152.40]
0300008B06-XX	16.00" [406.40]		



DIAMOND GEAR COMPANY
HOUSTON, TEXAS U.S.A.
PHONE: 713-590-0270, FAX: 713-590-0278



C300008A

09/23/09

REV.0