

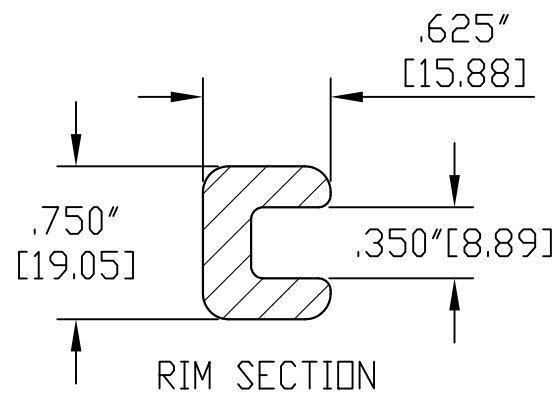
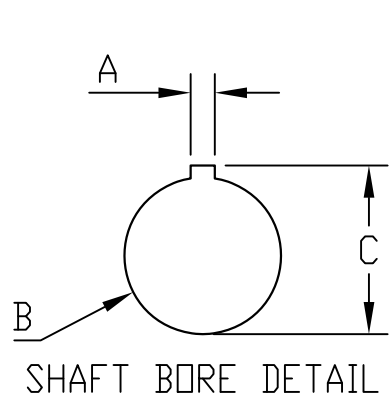
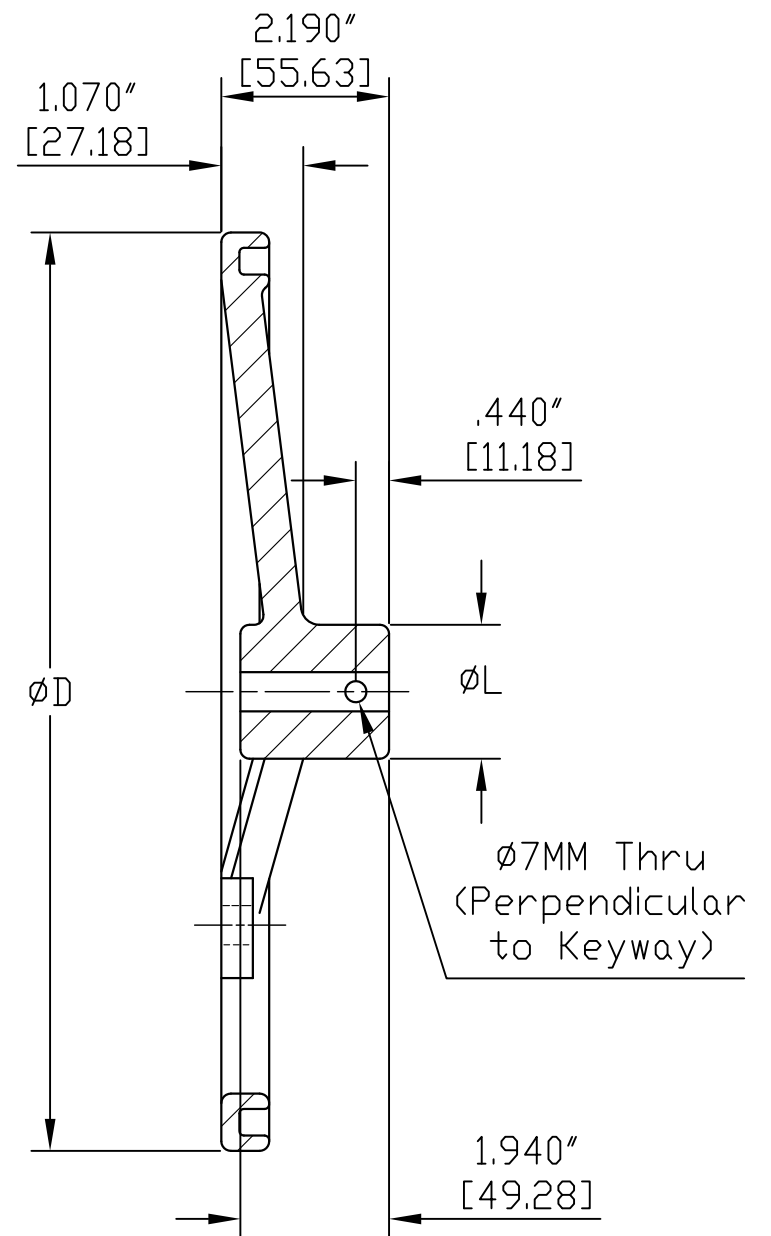
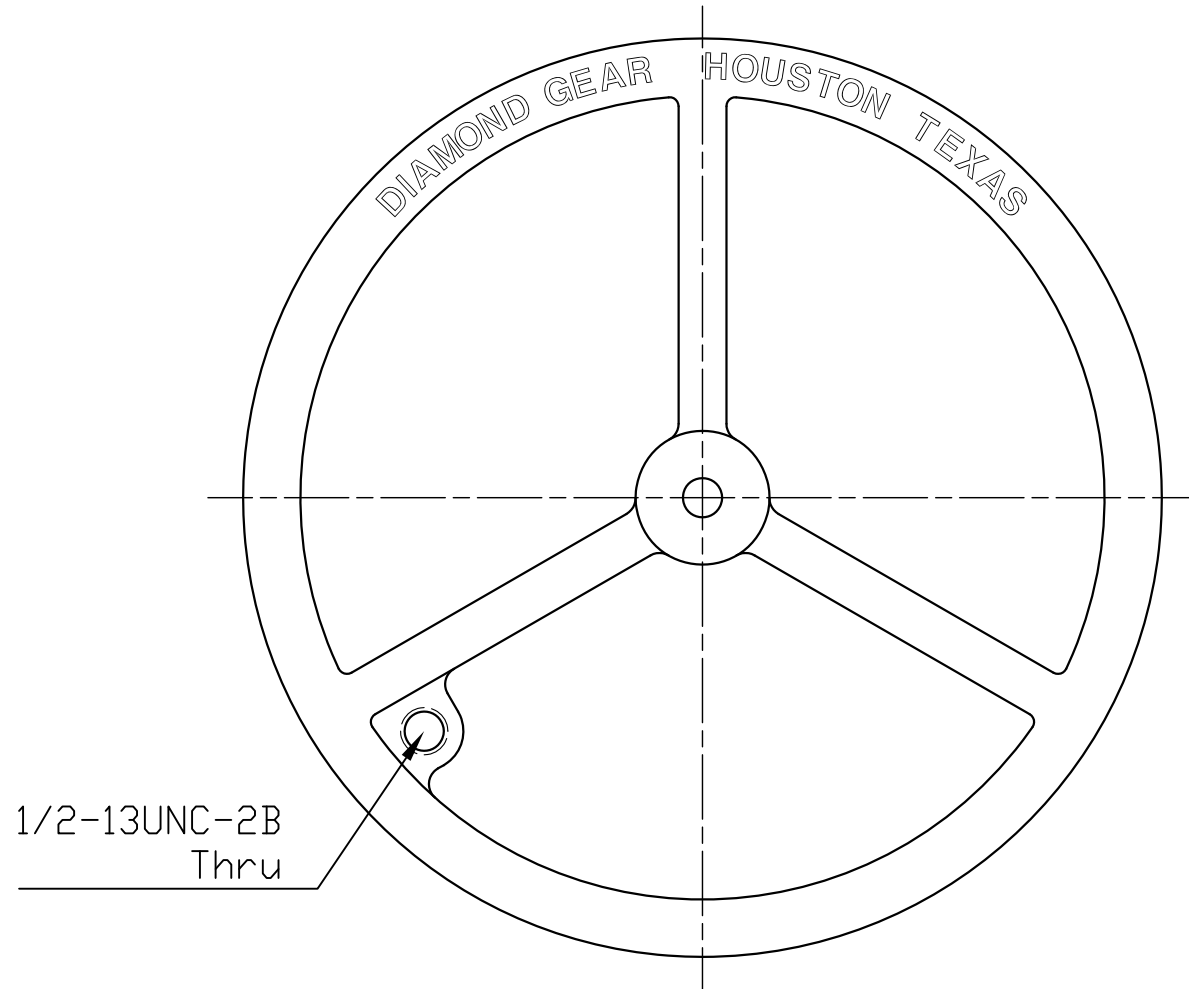
DIAMOND GEAR CO.,LTD.

HANDWHEEL

PART NUMBER DESCRIPTION

0300007B##-###

SHAFT BORE
HANDWHEEL SIZE NUMBER



UNITS: INCHES [MM]

FOR SQUARE KEY ONLY			
-XX	A +.005 -.000	ϕB +.010 -.000	C +.005 -.000
01	.125" [3.17]	.500" [12.70]	.560" [14.22]
02	.187" [4.75]	.625" [15.88]	.709" [18.00]
03		.750" [19.05]	.837" [21.26]
04		.812" [20.62]	.900" [22.86]
05	.250" [6.35]	.875" [22.23]	.964" [24.49]
06		1.000" [25.40]	1.114" [28.30]
07		1.125" [28.58]	1.241" [31.52]
08		1.250" [31.75]	1.367" [34.72]

PART NUMBER	ϕD	ϕL
0300007B01-XX	6.000" [152.40]	1.750" [44.45]
0300007B02-XX	8.000" [203.20]	
0300007B03-XX	10.00" [254]	
0300007B04-XX	12.00" [304.80]	
0300007B05-XX	14.00" [355.60]	2.100" [53.34]
0300007B06-XX	16.00" [406.40]	

DIAMOND GEAR COMPANY HOUSTON, TEXAS U.S.A. PHONE: 713-590-0270, FAX: 713-590-0278		C300007A	09/23/09
			REV.0