

# DIAMOND GEAR CO.,LTD.

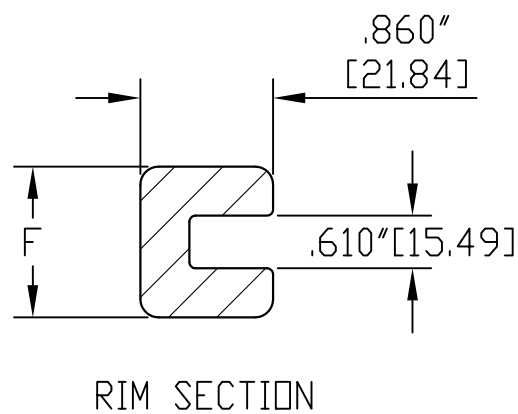
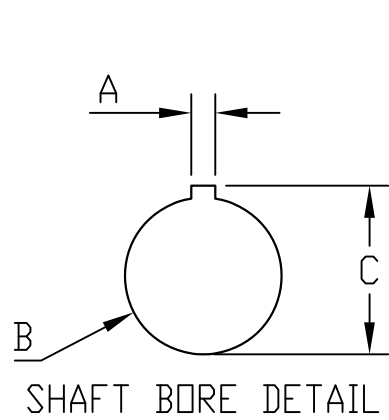
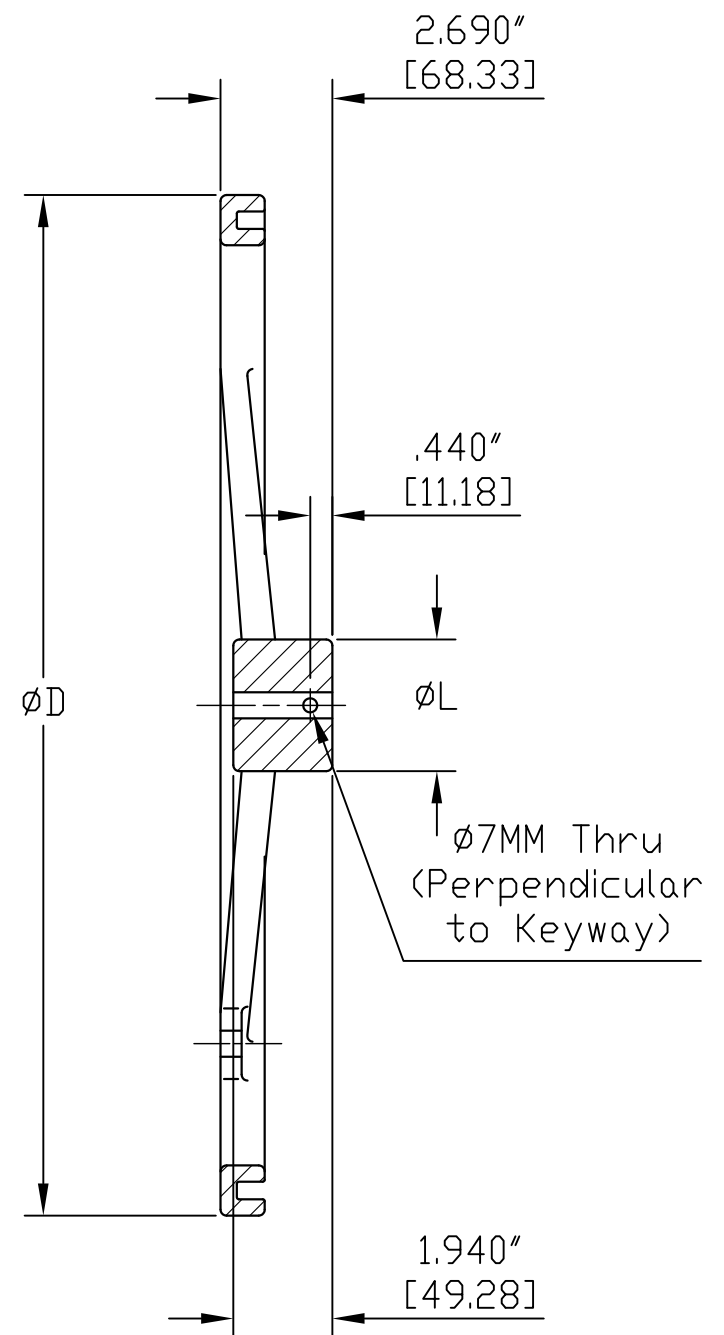
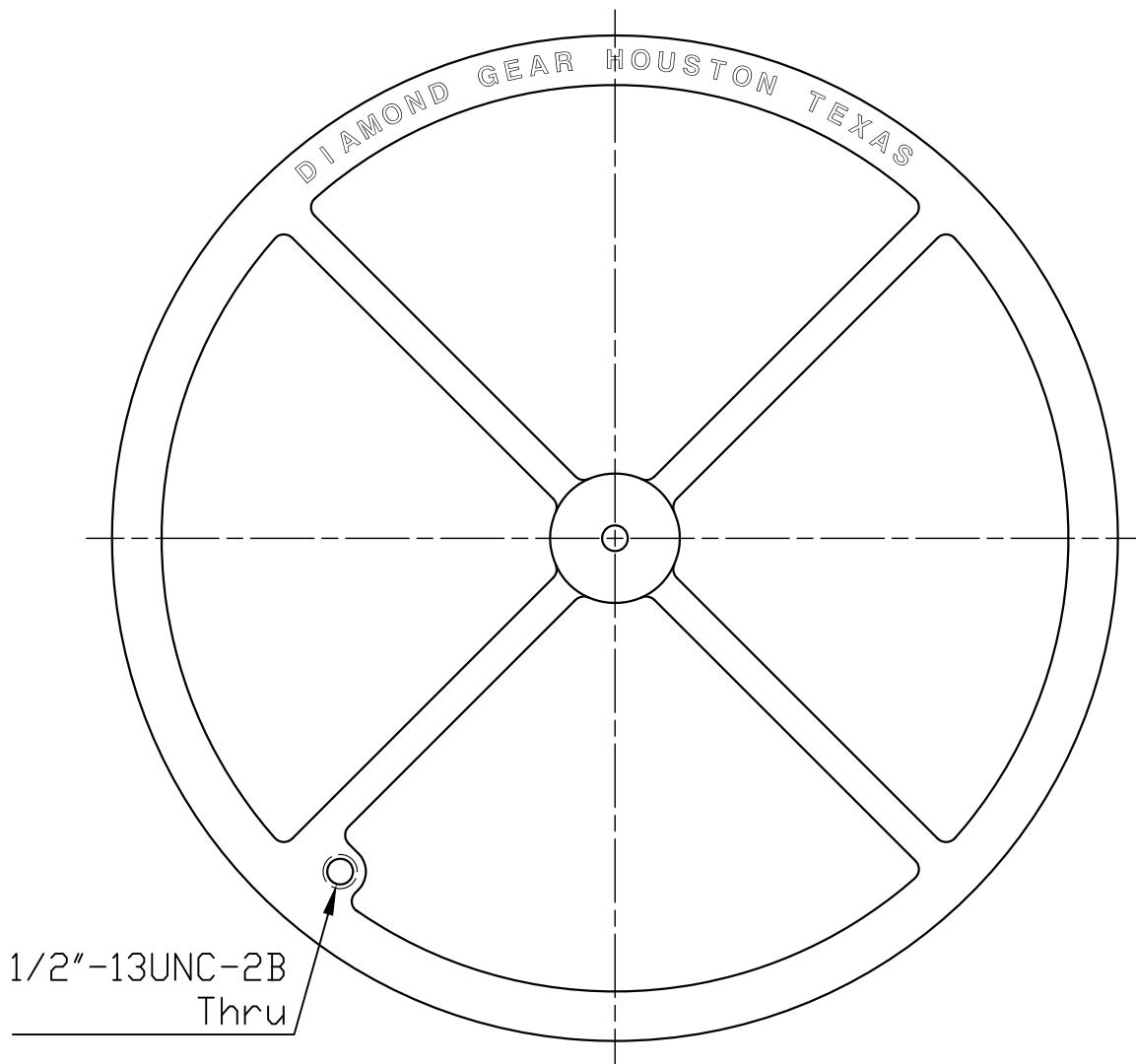
# HANDWHEEL

PART NUMBER DESCRIPTION

0300006B##-###

SHAFT BORE

HANDWHEEL SIZE NUMBER



UNITS: INCHES [MM]

FOR SQUARE KEY ONLY			
-XX	A +.005 -.000	φB +.010 -.000	C +.005 -.000
01	.125" [3.17]	.500" [12.70]	.560" [14.22]
02	.187" [4.75]	.625" [15.88]	.709" [18.00]
03		.750" [19.05]	.837" [21.26]
04		.812" [20.62]	.900" [22.86]
05	.250" [6.35]	.875" [22.23]	.964" [24.49]
06		1.000" [25.40]	1.114" [28.30]
07		1.125" [28.58]	1.241" [31.52]
08		1.250" [31.75]	1.367" [34.72]

PART NUMBER	φD	φL	F
0300006B01-XX	18.00" [457.20]	2.340" [59.44]	1.00" [25.40]
0300006B02-XX	20.00" [508]	2.580" [65.53]	1.130" [28.70]
0300006B03-XX	24.00" [609.60]		1.250" [31.75]
0300006B04-XX	30.00" [762]		
0300006B05-XX	36.00" [914.40]		

<b>DIAMOND GEAR COMPANY</b> HOUSTON, TEXAS U.S.A. PHONE: 713-590-0270, FAX: 713-590-0278		<b>C300006A</b>	<b>09/23/09</b>
			<b>REV.0</b>