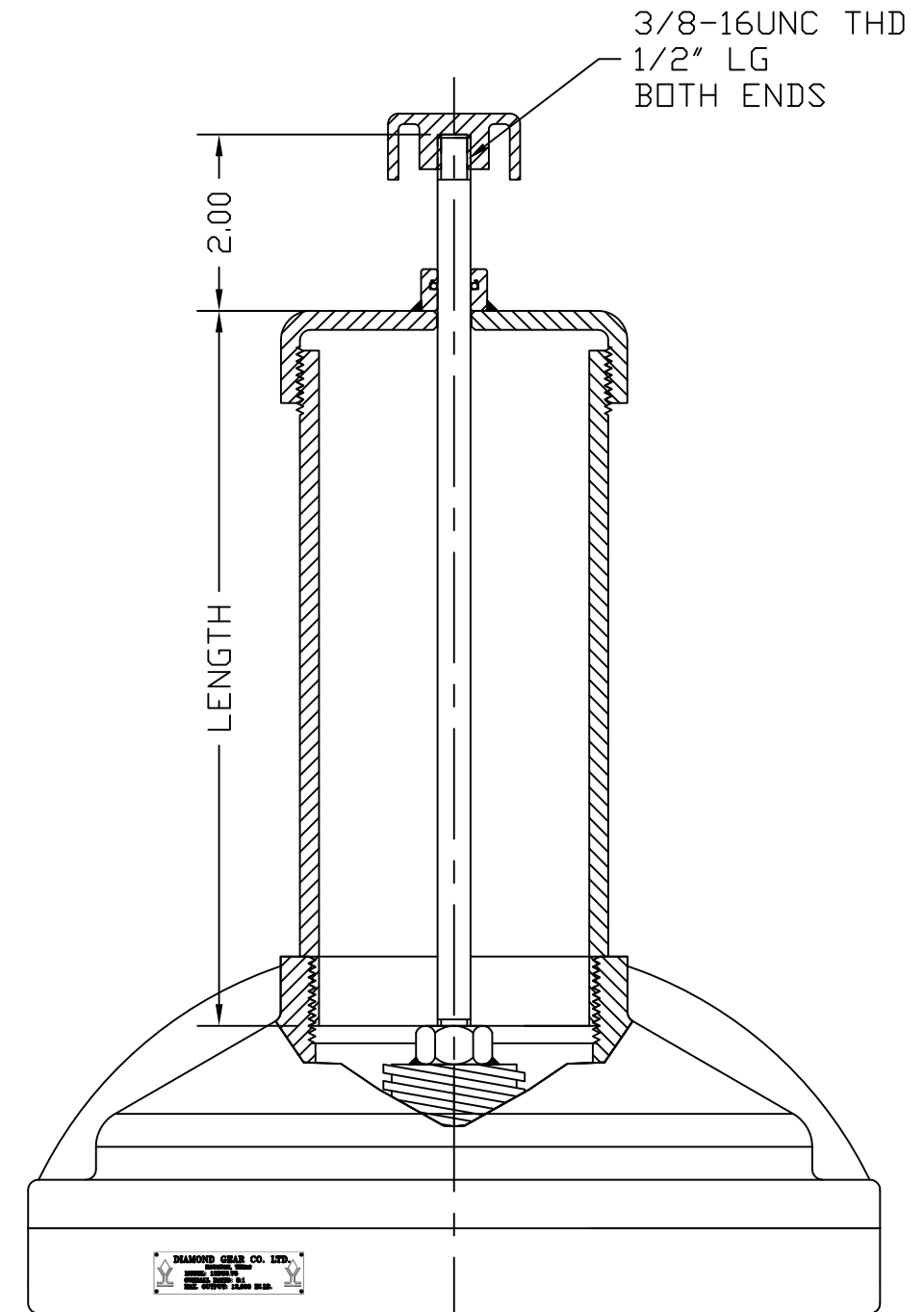


0400044A

SUPERSEDING			SUPERSEDED BY				
LET	ZONE	ECN	REVISION	DR. BY	CHK. BY	APR. BY	DATE

NPT THREAD SIZE	SCHEDULE NUMBER	NOMINAL SIZE (O.D) [IN]	WALL THICKNESS [IN]	LENGTH [IN]
1.5" NPT	40	1.5 (1.900)	.145	12
2.5" NPT	40	2.5 (2.875)	.203	13
2.5" NPT	40	2.5 (2.875)	.203	16
2.5" NPT	40	2.5 (2.875)	.203	18
3" NPT	40	3 (3.500)	.216	16
3" NPT	40	3 (3.500)	.216	25
4" NPT	40	4 (4.500)	.237	17
4" NPT	40	4 (4.500)	.237	25
4" NPT	40	4 (4.500)	.237	37
5" NPT	40	5 (5.563)	.258	21
5" NPT	40	5 (5.563)	.258	38
6" NPT	40	6 (6.625)	.280	30
6" NPT	40	6 (6.625)	.280	48
6" NPT	40	6 (6.625)	.280	50



MATERIAL: ASTM A53 TYPE F

THIS DRAWING AND ALL INFORMATION CONTAINED HEREIN ARE THE PROPERTY OF THE DIAMOND GEAR AND ARE NOT TO BE USED EXCEPT AS AUTHORIZED BY SAID CORP.	MAKE FROM PART NO.	DO NOT SCALE DRAWING	SCALE NTS
	TITLE STEM PROTECTOR STEEL PIPE		DR. BY JN
			DATE 10-16-00
			ENGR BY JN
		DATE 10-16-00	
		APR. BY DS	DATE 10-16-00
DIAMOND GEAR CO. LTD. HOUSTON, TEXAS		0400044A	REV 0