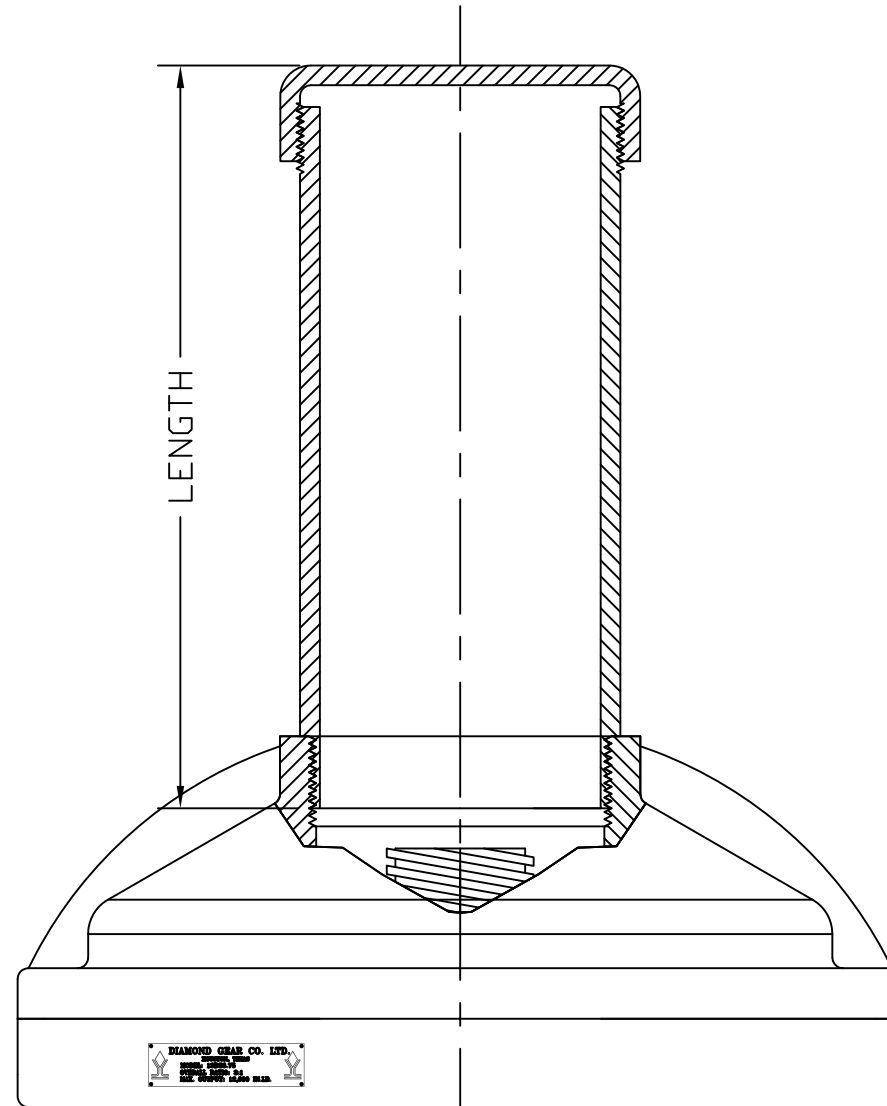


0400043A

SUPERSEDING			SUPERSEDED BY				
LET	ZONE	ECN	REVISION	DR. BY	CHK. BY	APR. BY	DATE

NPT THREAD SIZE	NOMINAL SIZE (O.D) [IN]	LENGTH [IN]
1.5" NPT	1.5 (1.900)	12
2.5" NPT	2.5 (2.875)	13
2.5" NPT	2.5 (2.875)	16
2.5" NPT	2.5 (2.875)	18
3" NPT	3 (3.500)	16
3" NPT	3 (3.500)	25
4" NPT	4 (4.500)	17
4" NPT	4 (4.500)	25
4" NPT	4 (4.500)	37
5" NPT	5 (5.563)	21
5" NPT	5 (5.563)	38
6" NPT	6 (6.625)	30
6" NPT	6 (6.625)	48
6" NPT	6 (6.625)	50



MATERIAL: CLEAR PVC (POLYVINYL CHLORIDE)

THIS DRAWING AND ALL INFORMATION CONTAINED HEREIN ARE THE PROPERTY OF THE DIAMOND GEAR AND ARE NOT TO BE USED EXCEPT AS AUTHORIZED BY SAID CORP.	MAKE FROM PART NO.	DO NOT SCALE DRAWING	SCALE NTS
	TITLE STEM PROTECTOR PLASTIC		DR. BY JN DATE 10-16-00
			ENGR BY JN DATE 10-16-00
			APR. BY DS DATE 10-16-00
DIAMOND GEAR CO. LTD. HOUSTON, TEXAS		0400043A	REV 0